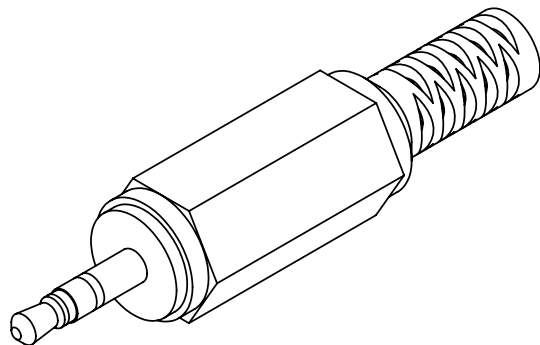
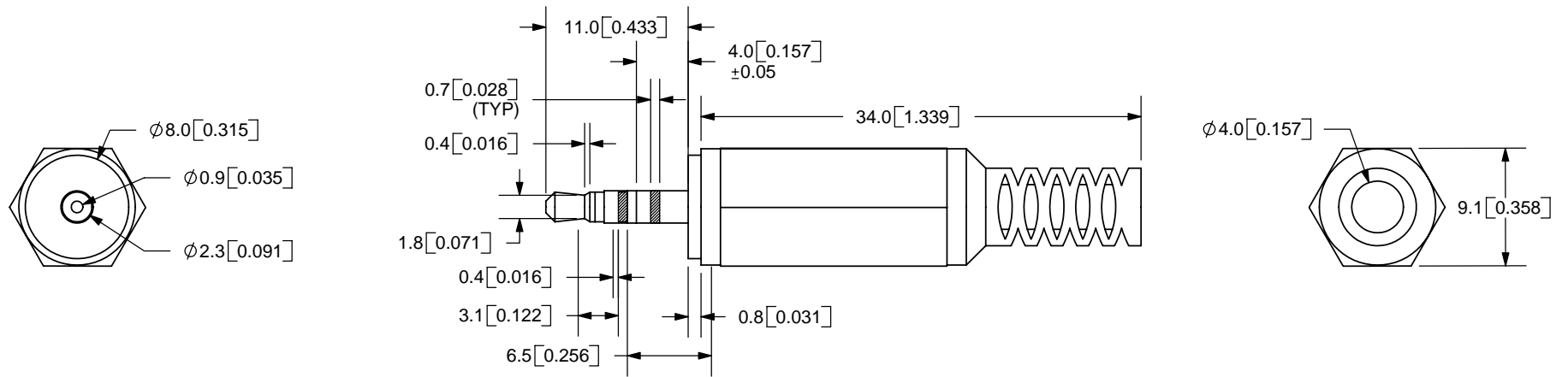


REV.	DESCRIPTION	DATE
A	NEW DRAWING	12/19/2005



TOLERANCE:  
 X.X  $\pm 0.2$ mm  
 X.XX  $\pm 0.1$ mm  
 X.XXX  $\pm 0.05$ mm



9615 SW Allen Blvd., Ste. 103  
 Beaverton, OR 97005  
 Phone: 503-643-4899  
 800-275-4899  
 Fax: 503-372-1266  
 Website: www.cui.com

	MATERIAL	PLATING
TIP	Brass	Nickel
RING	Brass	Nickel
SLEEVE	Brass	Nickel
INSULATOR	P.P.	
EARTH TERMINAL	Brass	Nickel
BODY	PVC	

TITLE:	2.5mm STEREO PLUG	REV:	A
PART NO.	SP-2501	UNITS:	MM [INCHES]
DRAWN BY:	ZRJ	APPROVED BY:	
		SCALE:	2:1

PC FILE NAME:  
 SP-2501

COPYRIGHT 2005 BY CUI INC.