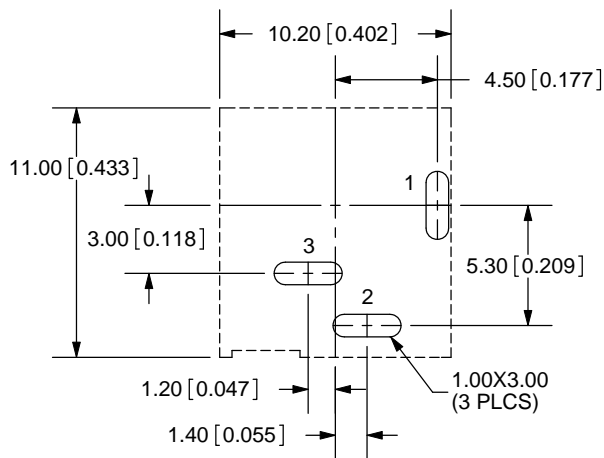
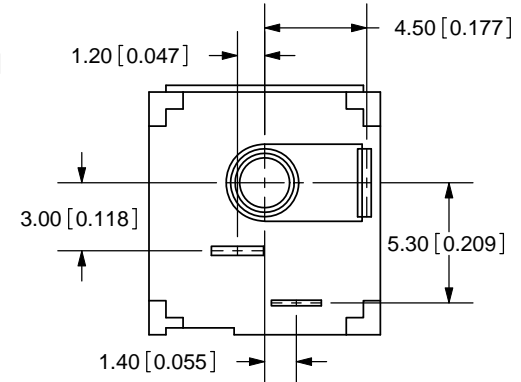
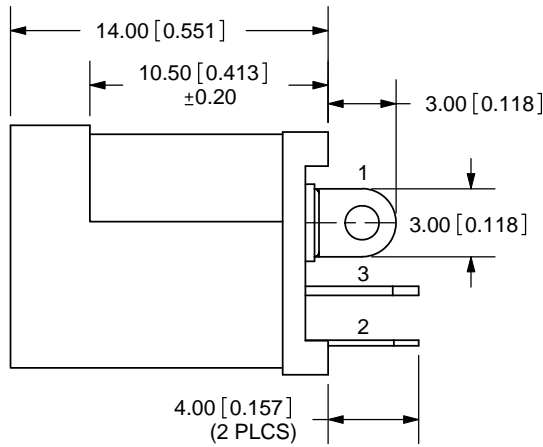
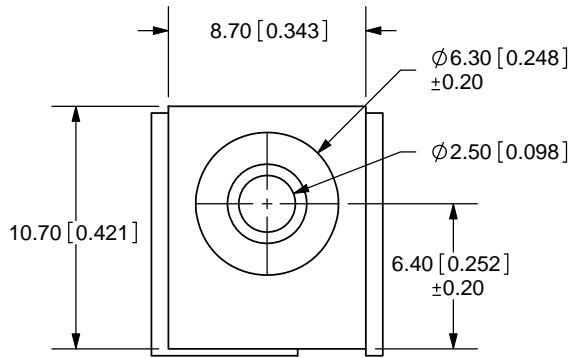
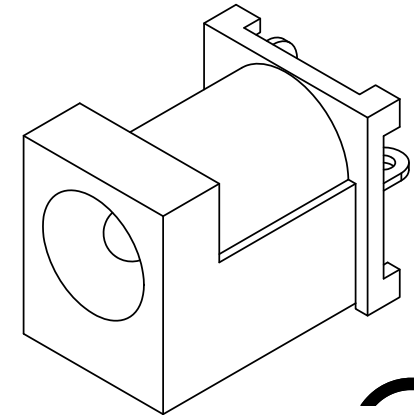
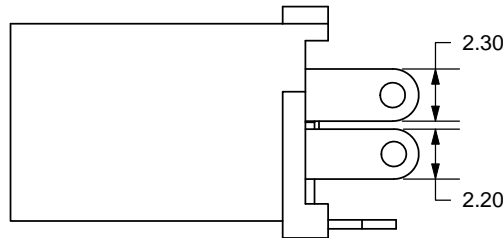


REV.	DESCRIPTION	DATE
A	NEW DRAWING	3/25/2009



PCB LAYOUT
BACK VIEW



TOLERANCE:
±0.3mm UNLESS OTHERWISE
SPECIFIED

MODEL NO.	PJ-060B
SCHEMATIC	

CENTER PIN DIAMETER 2.5mm Dia.

SPECIFICATIONS:
 RATING: 16V DC @ 2A
 CONTACT RESISTANCE: 30m OHMS MAX
 INSULATION RESISTANCE: 100M OHMS MIN: 500V DC
 VOLTAGE WITHSTAND: 500V AC R.M.S. FOR 1 MINUTE
 LIFE: 5,000 CYCLES

	MATERIAL	PLATING
CENTER PIN	Copper	Nickel
TERMINAL 1	Brass	Tin
TERMINAL 2	Phosphor Bronze	Tin
TERMINAL 3	Brass	Tin
BODY	PBT	



CUI INC

20050 SW 112th Ave.
 Tualatin, OR 97062
 Phone: 503-612-2300
 800-275-4899
 Fax: 503-612-2383
 Website: www.cui.com

TITLE: DC POWER JACK	REV: A
PART NO. PJ-060B	UNITS: MM [INCHES]
DRAWN BY: ZRJ	APPROVED BY:
	SCALE: 3:1

PC FILE NAME:
PJ-060B

COPYRIGHT 2009 BY CUI INC.