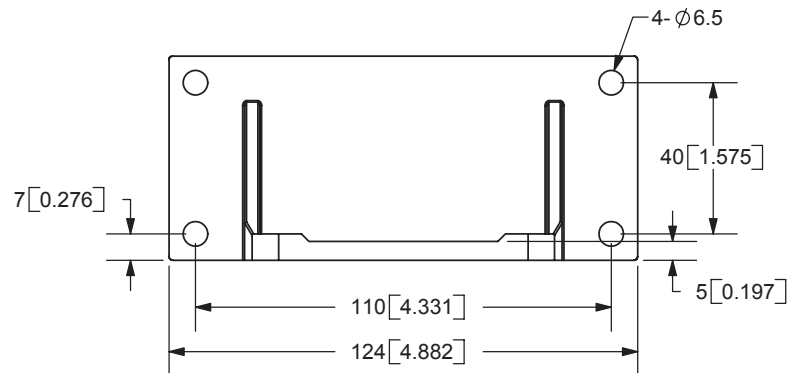
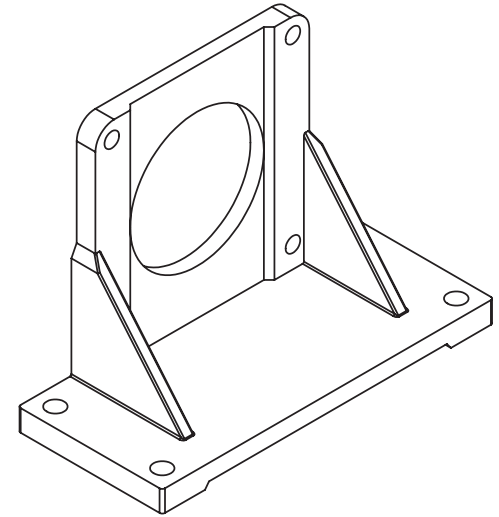
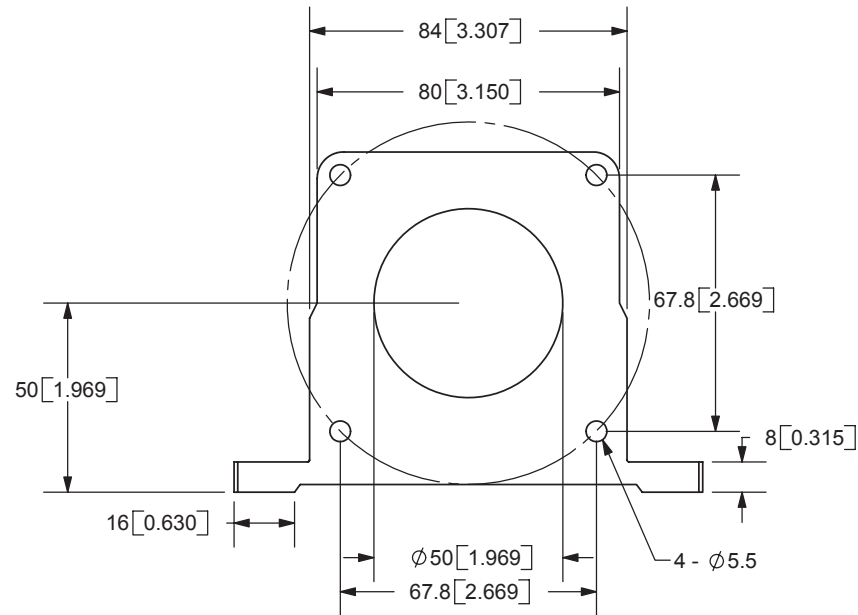
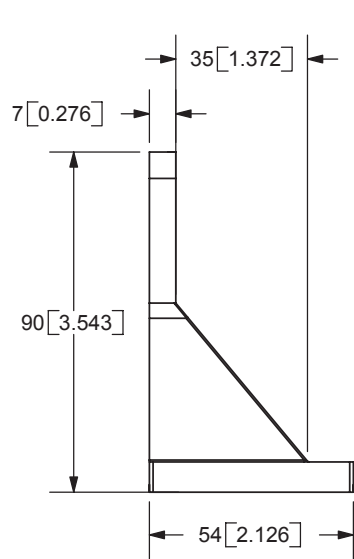


REV.	DESCRIPTION	DATE
A	NEW DRAWING	9/11/2007



TOLERANCE:  
±0.3mm UNLESS OTHERWISE  
SPECIFIED



20050 SW 112th Ave.  
Tualatin, OR 97062  
Phone: 503-612-2300  
800-275-4899  
Fax: 503-612-2383  
Website: www.cui.com

TITLE: Encoder Bracket		REV: A
PART NO. L-12454		UNITS: MM [INCHES]
DRAWN BY: JMS	APPROVED BY:	SCALE: 1:2