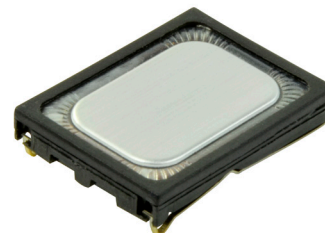


SERIES: CMS-151125-078X-67 | **DESCRIPTION:** SPEAKER

FEATURES

- IP67 rated face
- protection against dust and water ingress
- micro-speaker
- 2.5 mm height
- 3 available contact methods



SPECIFICATIONS

| parameter | conditions/description | min | typ | max | units |
|-------------------------|---|------|-------|--------|-------|
| input power | max power: as per IEC-268-5, in 1 cc box | | 0.7 | 1.0 | W |
| impedance | at 2.0 kHz, 2.37 Vrms, in 1 cc box | 6.8 | 8 | 9.2 | Ω |
| coil resistance | | 6.48 | 7.2 | 7.92 | Ω |
| resonant frequency (Fo) | at 1.0 Vrms in free air, 10 cm | 560 | 700 | 840 | Hz |
| | at 2.37 Vrms in 1 cc box, 10 cm | 800 | 1,000 | 1,200 | Hz |
| frequency response | | 100 | | 20,000 | Hz |
| sound pressure level | at 0.7 W, 10 cm, avg 0.8, 1.0, 1.5, 2.0 kHz, 1 cc box | 88 | 91 | 94 | dB |
| distortion | at 800~1200 Hz, 2.37 Vrms, 10 cm | | | 15 | % |
| | at 1,201~5,000 Hz, 2.37 Vrms, 10 cm | | | 10 | % |
| buzz, rattle, etc. | must be normal at sine wave, 0.2~2 kHz, 1 cc box | | | 2.37 | Vrms |
| polarity | cone moves forward w/ positive dc current to "+" terminal | | | | |
| dimensions | 15 x 11 x 2.5 | | | | mm |
| magnet | Nd-Fe-B | | | | |
| cone material | mylar | | | | |
| weight | | | 1.5 | | g |
| operating temperature | | -20 | | 70 | °C |
| storage temperature | | -30 | | 85 | °C |
| hand soldering | for maximum 3 seconds (N/A for spring contacts) | | | 380 | °C |
| RoHS | yes | | | | |
| IP level | IP67 (front side) | | | | |

Notes: 1. All specifications measured at 15~35°C, humidity at 25~75%, under 86~106 kPa pressure, unless otherwise noted.

PART NUMBER KEY

CMS-151125-078 XX - 67

Base Number

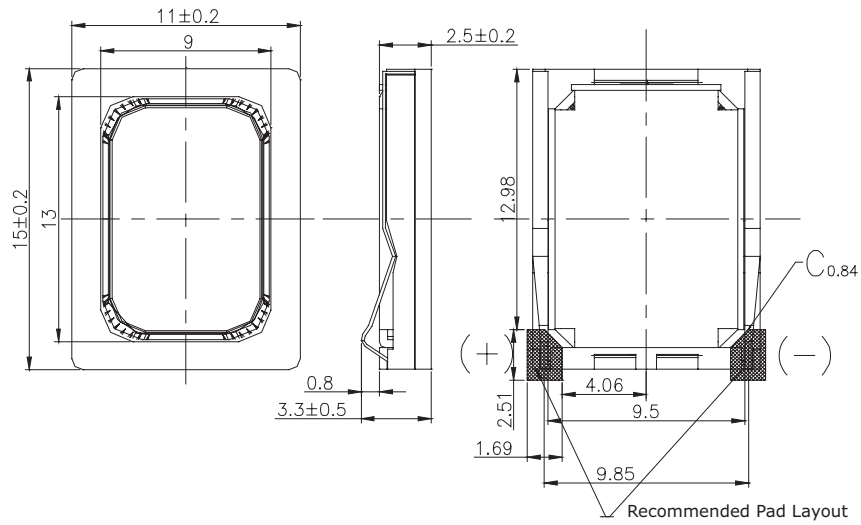
Termination Options:
 S = spring contacts
 SP = solder pads
 L100 = wire leads

MECHANICAL DRAWINGS

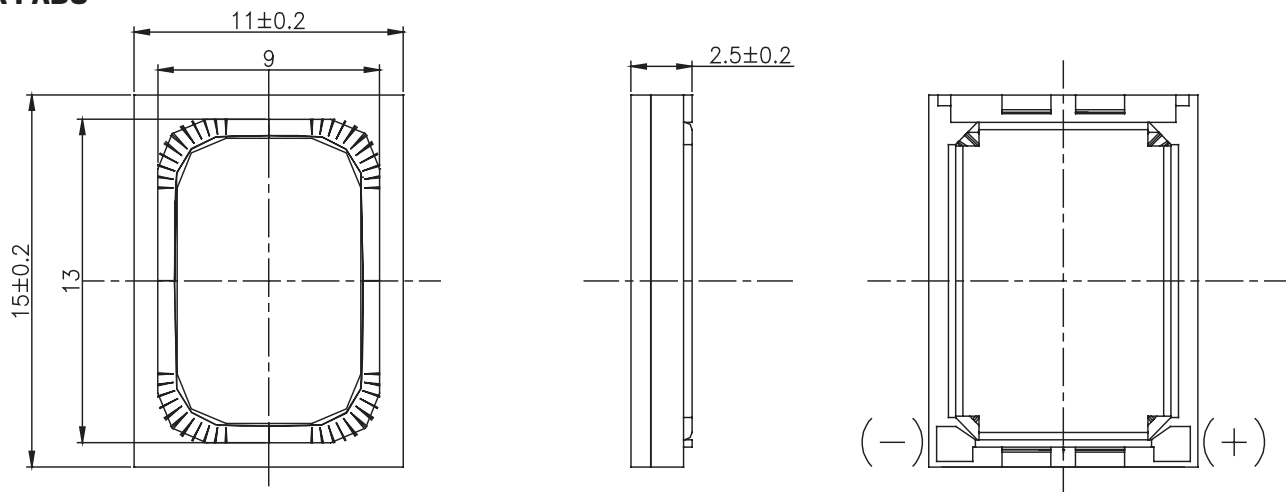
units: mm

tolerance: ± 0.2 mm

SPRING CONTACTS

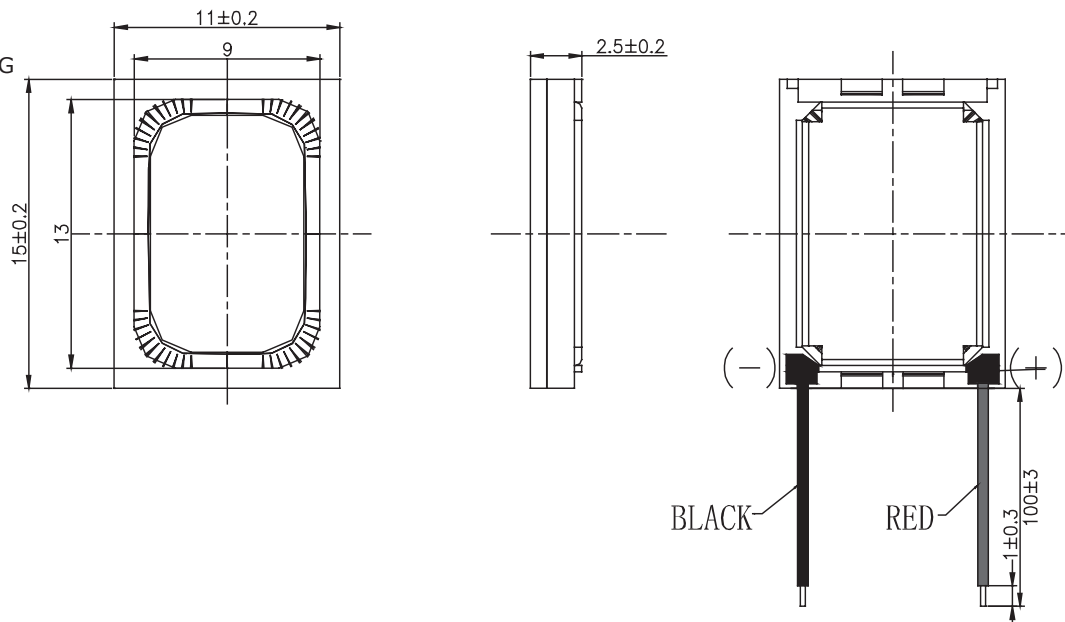


SOLDER PADS



WIRE LEADS

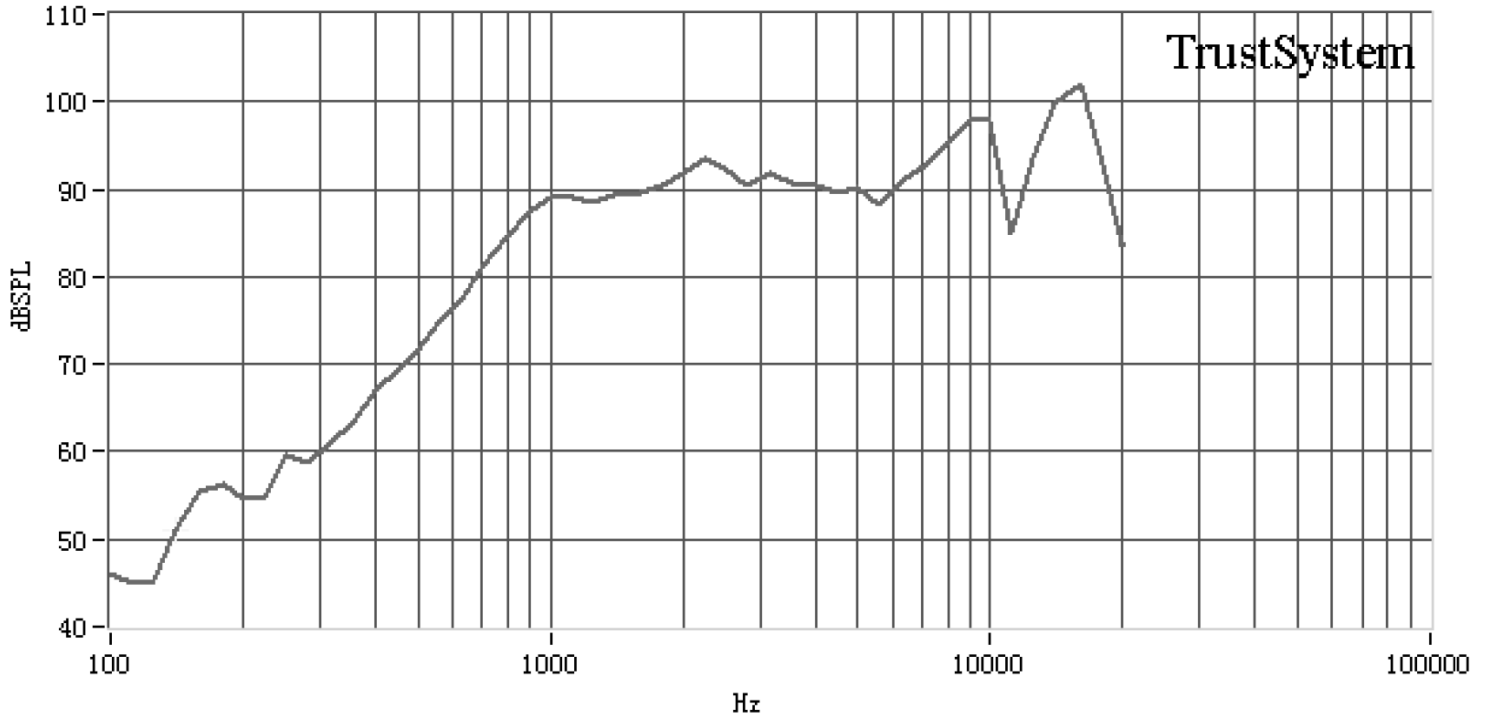
wire: UL 1571, 32 AWG



RESPONSE CURVES

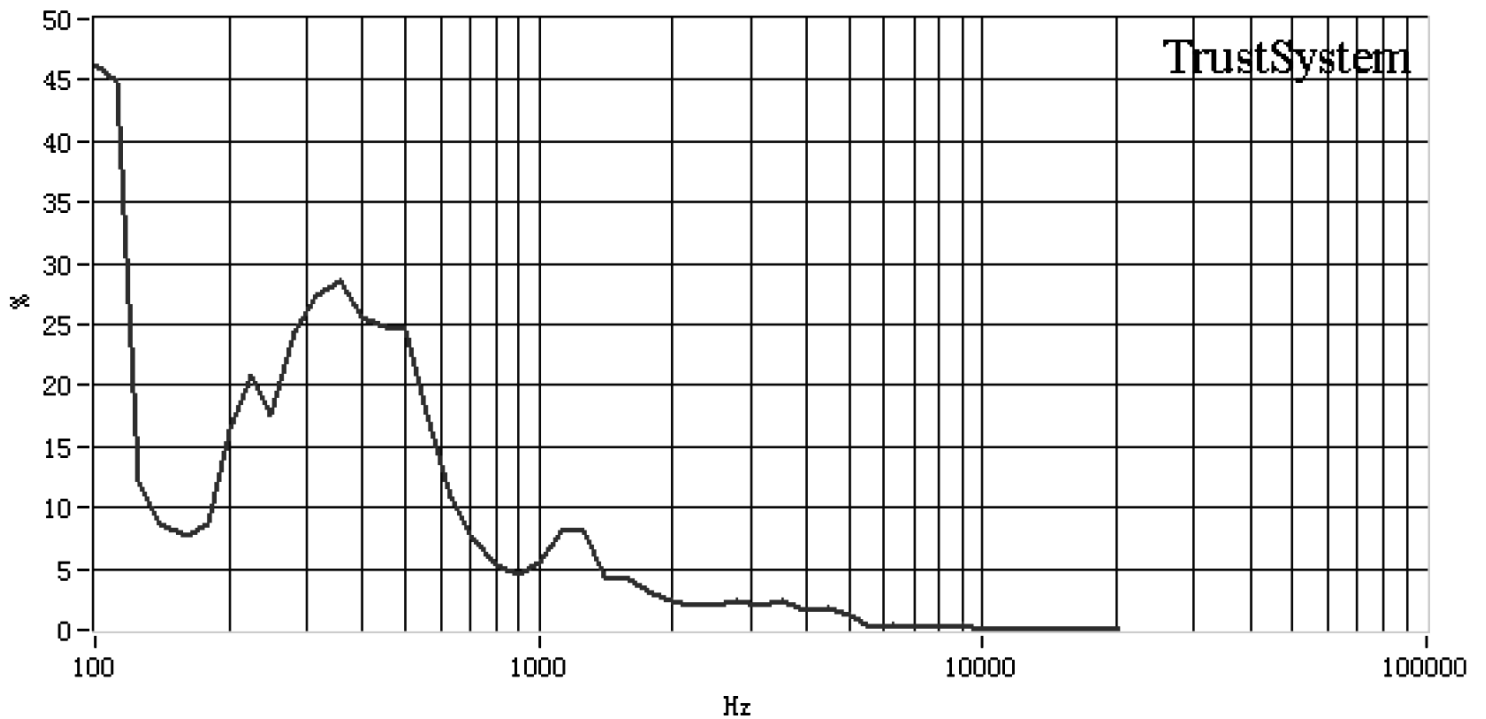
Frequency Response Curve

Test Conditions: 2.37 Vrms / 10 cm



Total Harmonic Distortion Curve

Test Conditions: 2.37 Vrms / 10 cm

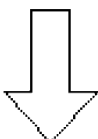
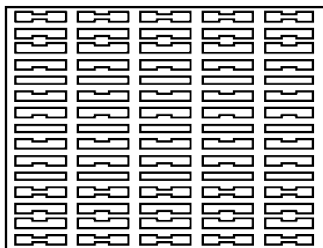


PACKAGING

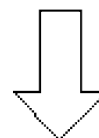
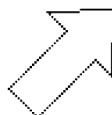
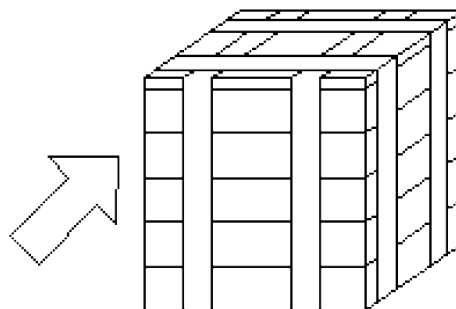
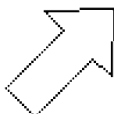
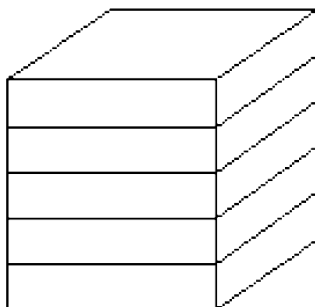
units: mm

Tray QTY: 150 pcs per tray
Carton Size: 345 x 260 x 390 mm
Carton QTY: 4,500 pcs per carton

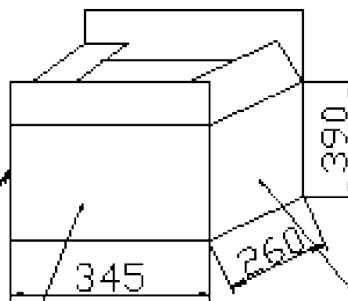
150PCSx1=150PCS



150PCSx30=4500PCS



BIG BOX



| | |
|--------|---------------|
| 6 | ⚙ |
| ♀ | ♂ |
| MODEL: | |
| QTY: | PCS |
| NW: | Kg |
| G.W: | kg |
| SIZE: | 345x260x390mm |
| LOT NO | |

REVISION HISTORY

| rev. | description | date |
|------|-----------------|------------|
| 1.0 | initial release | 07/23/2018 |

The revision history provided is for informational purposes only and is believed to be accurate.



Headquarters
20050 SW 112th Ave.
Tualatin, OR 97062
800.275.4899

Fax 503.612.2383
cui.com
techsupport@cui.com

CUI offers a one (1) year limited warranty. Complete warranty information is listed on our website.

CUI reserves the right to make changes to the product at any time without notice. Information provided by CUI is believed to be accurate and reliable. However, no responsibility is assumed by CUI for its use, nor for any infringements of patents or other rights of third parties which may result from its use.

CUI products are not authorized or warranted for use as critical components in equipment that requires an extremely high level of reliability. A critical component is any component of a life support device or system whose failure to perform can be reasonably expected to cause the failure of the life support device or system, or to affect its safety or effectiveness.